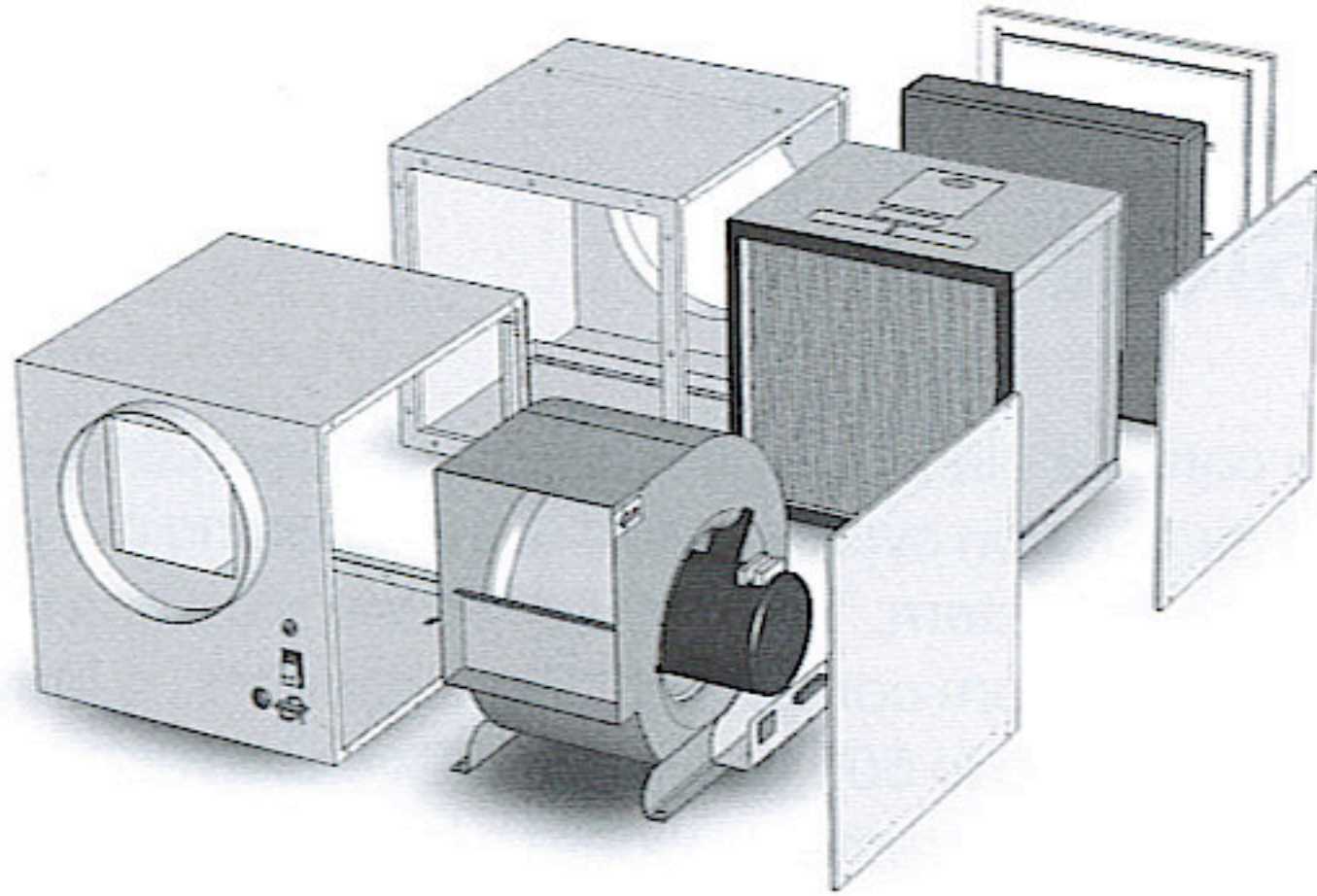


DESIGN SPECIFICATIONS AND OPTIONS

DESIGN SPECIFICATIONS 600HS – S

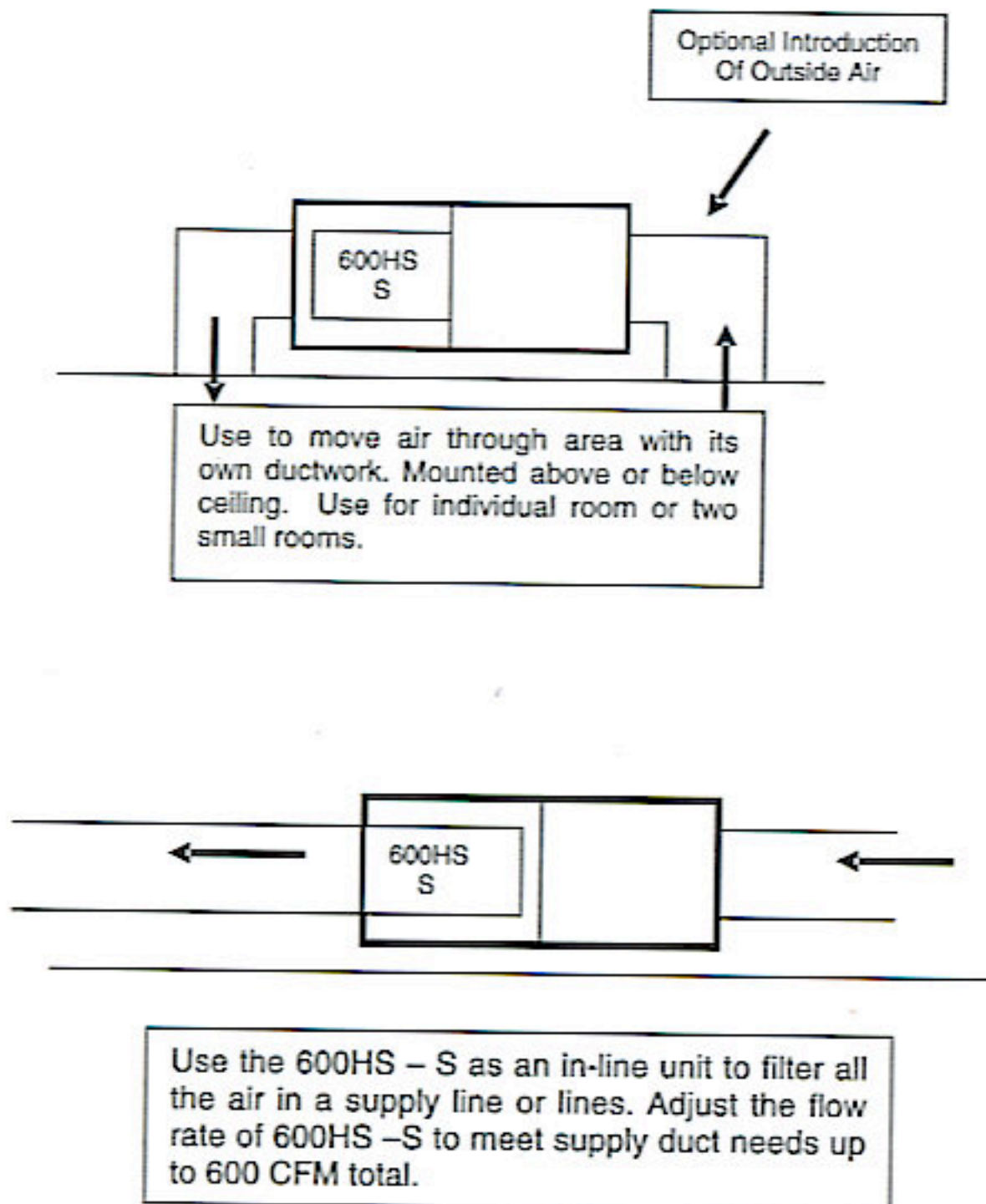
Two Sections: Blower/Motor & Filter Sections
Allows For Four Position Door Access



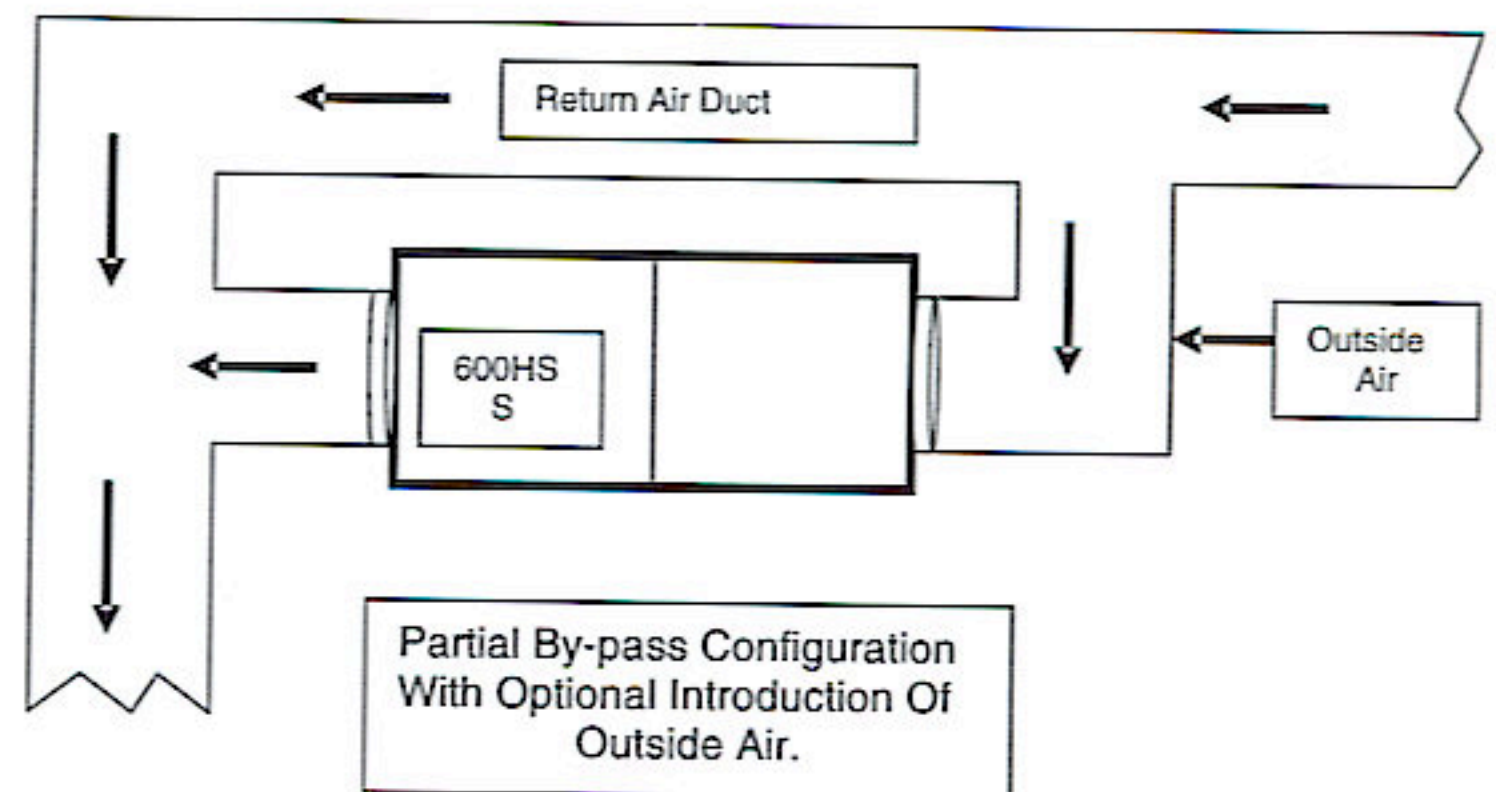
Dimensions:	34" Long x 16 1/4" Square
Duct Connections:	12" Dia. Inlet, 10" Dia. Outlet
Weight:	97 lbs Assembled
CFM Rating:	600 CFM Max Air Flow
Electrical Req:	120 volt 15 Amp circuit
Motor:	1/3 HP Induction Mtr. Std.
Optional Motor:	1/3 HP GE ECM Variable Speed Motor 120/240 volt
Optional 1/2 HP ECM Motor:	1/2 HP GE ECM Variable Speed 120/240 Volt
Filters:	Polyester Ring Panel Pre. 5 lb Carbon Media 99.97% UltraFlo HEPA
Controls:	Lighted on/off rocker switch 15 Amp Breaker
Optional Controls:	PLUS HVAC Controller PLUS VCU Digital Speed Controller: In unit or remote

600HS – S Version MULTI-PURPOSE HEPA FILTRATION SYSTEM

600HS PLUS – S VCU APPLICATIONS



600HS – S HVAC APPLICATIONS



Pure Air Systems, Inc.
Clayton, IN 46118

800-869-8025 Fax: 317-539-4959 www.pureairsystems.com