



## **MODEL 1200HS HEPA SHIELD**

In 1985 Pure Air Systems was the first company to introduce a whole-house, true HEPA filtration system. Today Pure Air Systems offers a full line of air filtration systems for the residential, commercial, medical and light industrial markets, all made in the USA using only the highest quality components.

Pure Air Systems introduced its 1200 Hepa Shield system in 1999. The 1200HS uses a 3/4HP ECM variable speed 120/240 volt 50/60 Hz motor and provides HEPA and activated Carbon filtered air with finite control of volume and speed while using up to 50% less electricity than the standard induction motors.

Pure Air Systems offers two different controller options for the PLUS line of systems. Couple the ECM motor with our HVAC controller and the system will run in conjunction with most heating/cooling systems. Should you need more flexibility in volume control or want the system to run independently; the VCU controller allows for operations from 0-100% of volume in 1% increments.

You have your choice of housing configurations to best conform to your application and/or space requirement. The "L" or vertical housing allows for left hand or right hand installation. The "S" or horizontal housing allows for ceiling mount or attic installation.



"S" Version

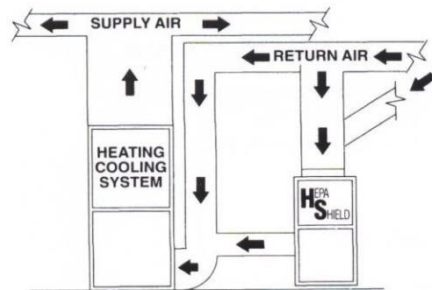
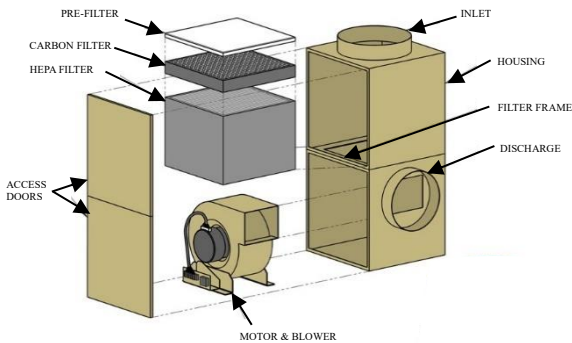
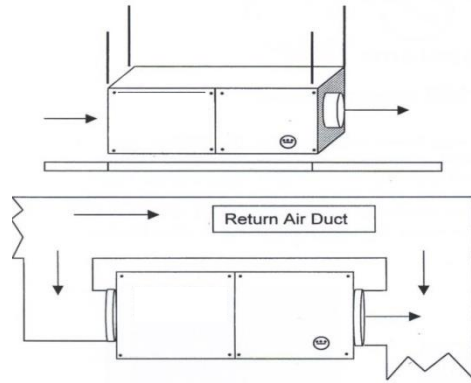
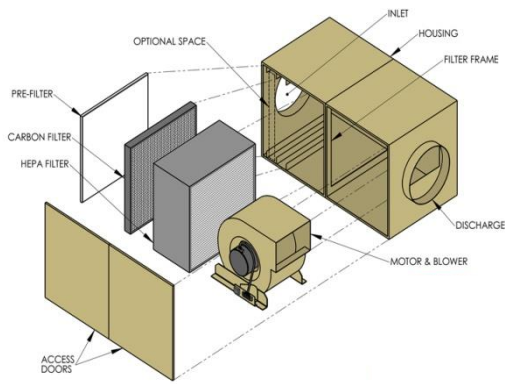


"L" Version

1. Polyester Prefilter MERV 8
- 2.15 Lbs. of Activated Carbon Filter
3. Certified and scanned HEPA removes 99.97%, 0.3 microns and larger

## DESIGN SPECIFICATIONS AND OPTIONS For Both "L" and "S" Versions

Dimensions "L" Unit:	25" Deep x 25" Wide x 42" High
Dimensions "S" Unit:	25" Deep x 26" High x 48" Long
Weight "L" Unit:	180 Lbs. (with all filters)
Weight "S" Unit:	200 Lbs. (with all filters)
CFM Rating:	1200 CFM (Hepa Filter)
Electrical Requirements:	120 volt, 15 Amp Circuit
Motor:	3/4 HP ECM Variable Speed 120/240 volt 50/60Hz @ Max 7.0 / 4.7 Amps
Filters:	Polyester Ring Panel Filter (Dual-Layer) 15 Lbs. of Activated Carbon Media 99.97% Certified Hepa Filter
Controls:	Lighted on/off Rocker Switch 15 Amp Breaker
Digital Controllers:	HVAC or Digital Speed Controller Standard



### OPTIONAL 1200OA UNIT

1. The "L" OA System has 1 large Activated Carbon Cartridge in-lieu of the HEPA filter (50 Lbs. of carbon)
2. The "S" OA System has 1 large Activated Carbon Cartridge in-lieu of the HEPA filter and up to 2 loose Carbon Filters (Up to 65 Lbs. of carbon)

Pure Air Systems, Indianapolis, IN 46254 - 800-869-8025  
info@pureairsystems.com