



MODEL 600HS & 600HS Plus Series

In 1985 Pure Air Systems was the first company to introduce a whole-house, true HEPA filtration system. Today Pure Air Systems offers a full line of air filtration systems for the residential, commercial, medical and light industrial markets, all made in the USA using only the highest quality components.

The 600HS can be ordered with the standard single speed 1/3 HP induction motor or in the PLUS version with the variable speed energy efficient 1/3 HP ECM motor. The ECM motors use less energy compared to a standard induction motor.

Pure Air Systems offers two different controller options for the PLUS line of systems. Couple the ECM motor with our HVAC controller and the system will run in conjunction with most heating/cooling systems. Should you need more flexibility in volume control or want the system to run independently; the VCU controller allows for operations from 0-100% of volume in 1% increments.

You have your choice of housing configurations to best conform to your application and/or space requirement. The "L" or vertical housing allows for left hand or right hand installation. The "S" or horizontal housing allows for ceiling mount or attic installation.



"S" Version



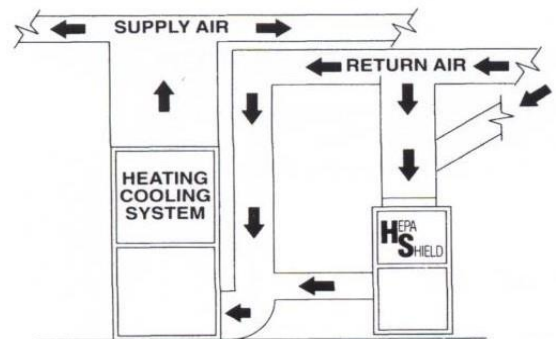
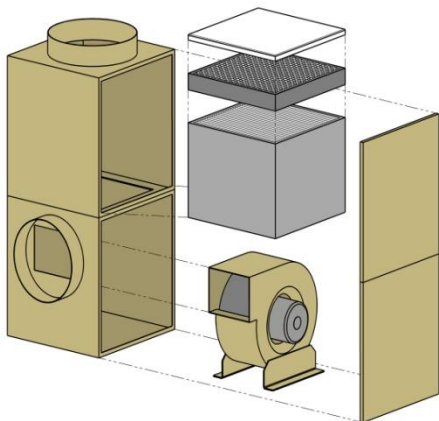
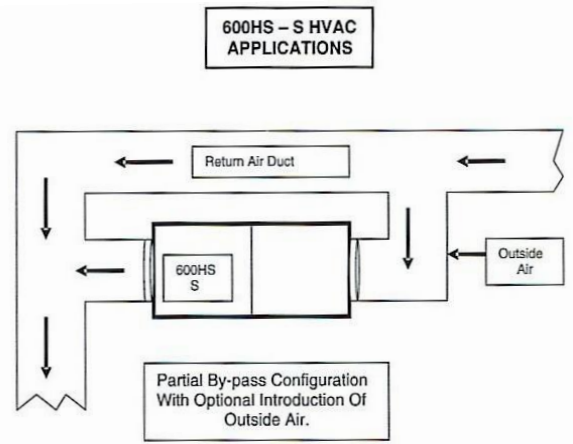
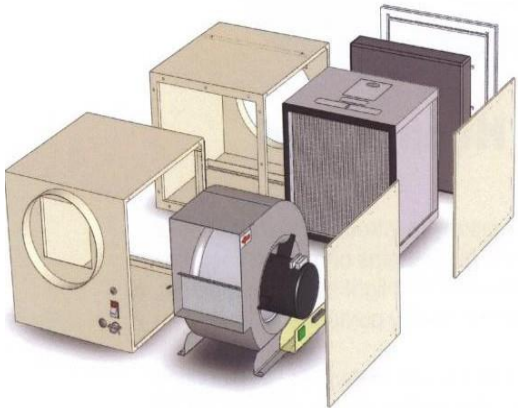
"L" Version

1. Polyester Prefilter MERV 8
2. 5 Lbs. Activated Carbon filter
3. Certified and scanned HEPA removes 99.97%, 0.3 microns and larger

DESIGN SPECIFICATIONS AND OPTIONS

**For Both "L" and "S" Versions
Two Sections: Blower/Motor & Filter Sections
Allows For Four Position Door Access**

Dimensions: "L" 17" W x 34" H x 17" L
 Dimensions: "S" 17" W x 17" H x 34" L
 Duct Connections: 12" Dia. Inlet. 10" Dia. Outlet
 Weight: 97 Lbs. Assembled
 CFM Rating: 600 CFM Max Air Flow
 Electrical Req: 120 Volt 15 Amp Circuit
 Motors: 1/3 HP Standard Induction Motor 120v 60 Hz @ Max 5.0 Amp
 1/3 HP ECM Variable Speed 120/240v 50/60 Hz @ Max 3.6/2.4 Amp.
 Optional Motor: 1/2 HP ECM Variable Speed 120/240v 50/60 Hz @ Max 6.2/3.9 Amp.
 Filters: Polyester Ring Panel Prefilter
 5 Lbs. Activated Carbon Filter
 Certified 99.97% HEPA at 0.3 Microns
 Controls: Lighted on/off Rocker Switch
 8 Amp Breaker
 Optional Controls: PLUS HVAC Controller
 PLUS VCU Digital Speed Controller Mounted Remotely



OPTIONAL 600 OA UNIT

The "L" or "S" OA System has 1 large Activated Carbon Cartridge in-lieu of the HEPA filter (up to 20 Lbs. of activated carbon)

Pure Air Systems, Indianapolis, IN 46254 - 800-869-8025
 info@pureairsystems.com